

# Assembly Instruction for Spin-12

## Part Details :

NO.	Part number	Quantity	NO.	Part number	Quantity
1	1711571000	1	14	Bolt M8X85 (already installed)	1
2	1711572000	4	15	Bolt M8x16 (already installed)	3
3	1711573000	1	16	Bolt M8X25	15
4	1711574000	1	17	Bolt M8X35	9
5	1711574100	3	18	Bolt M8X50	6
6	1711575000	9	19	Bolt M10x20 (already installed)	3
7	1711576000	1	20	Bolt M10x40	8
8	1711577000	1	21	Bolt M10x75	2
9	1711578000 (already installed)	1	22	Bolt M10x100	2
10	1711579000	6	23	Nut M8	13
11	171157A000	1	24	Nut M10	10
12	171157B000 (already installed)	3	25	Spring washer M10 (already installed)	3
13	171157C000	3	26	Bearing	1

## 1 Assemble the Base

Parts needed: 1711571000-1pcs, 1711572000-4pcs, Bolt M10x40-8pcs, Nut M10-8pcs



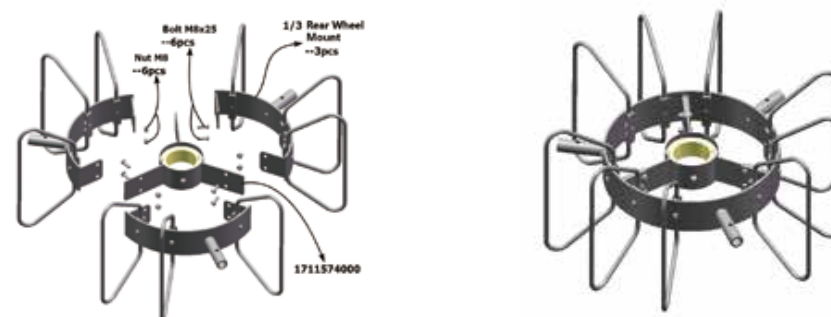
## 2 Assemble 1/3 Rear Wheel Mount

Parts needed: 1711574100-1pcs, 1711575000-3pcs, Bolt M8x25-3pcs



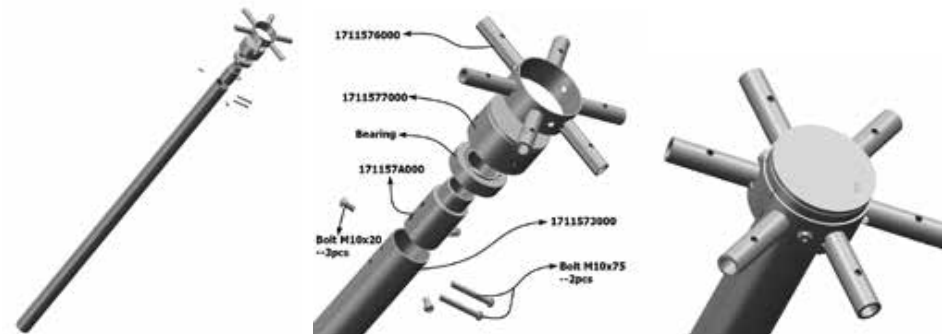
## 3 Assemble the complete Rear Wheel Mount

Parts needed: 1/3 Rear Wheel Mount-3pcs, 1711574000-1pcs, Bolt M8x25-6pcs, Nut M8-6pcs



## 4 Assemble the Upright Post

Parts needed: 1711573000-1pcs, 1711576000-1pcs, 1711577000-1pcs, 171157A000-1pcs, Bearing-1pcs, Bolt M10x20-3pcs, Bolt M10x75-2pcs



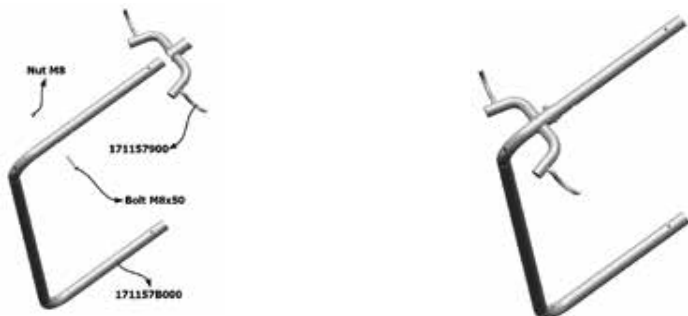
## 5 Assemble the Hanger

Parts needed: 1711579000-1pcs, 171157C000-1pcs, Bolt M8x50-1pcs, Nut M8-1pcs



## 6 Assemble the Handrail

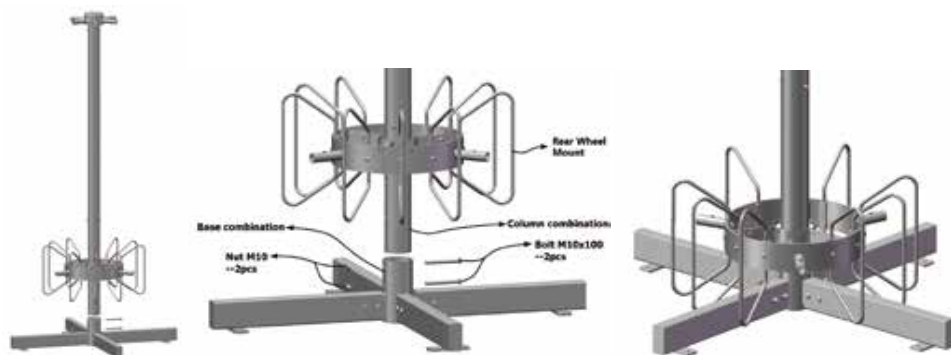
Parts needed: 1711579000-1pcs, 171157B000-1pcs, Bolt M8x50-1pcs, Nut M8-1pcs



## 7 Final Assembly

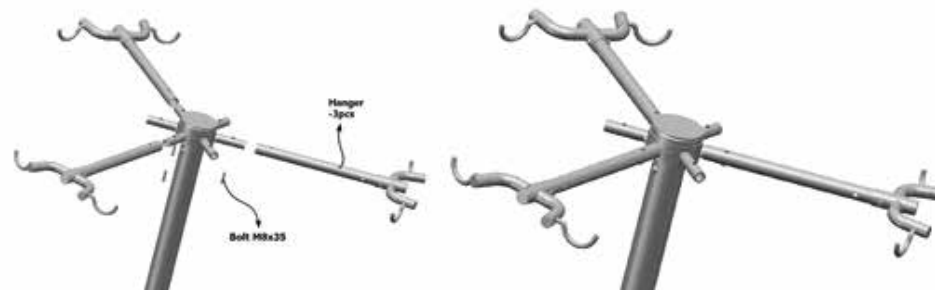
► The Rear Wheel Mount goes through the Upright Post and connect the Upright Post with the Base.

Parts needed: Rear Wheel Mount, Upright Post, Bolt M10x100-2pcs, Nut M10-2pcs



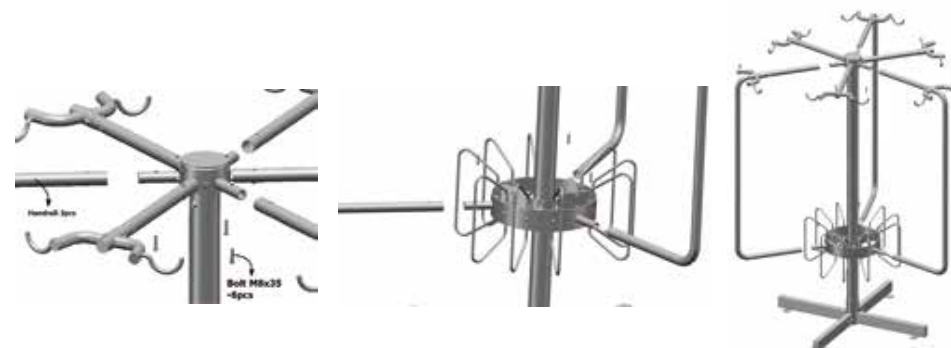
► Assemble the Hanger

Parts needed: Hanger-3pcs, Bolt M8x35-3pcs



► Assemble the Handrail

Parts needed: Handrail-3pcs, Bolt M8x35-3pcs



## 8 Finish the Assembly

